



AURELIA®  
AEROSPACE



# AURELIA X8 STANDARD

*Giving your ideas flight®*



25min / 45min (LE)  
flight time



Up to 8kg / 17lb  
payload



Up to 5km / 3mi  
flight range



US-Made  
Components

# INTRODUCTION



The X8 Standard boasts a robust 8-motor configuration, enabling a payload capacity of up to 8kg (17 lb). This design prioritizes reliability, offering continued stable flight even in the unlikely event of a single motor failure.

Achieve mission durations of up to 25 minutes with standard batteries, or extend your operations to 45 minutes with optional Long-Endurance (LE) batteries.

The drone is delivered ready to fly out of the box with minimal setup required. Just install your payload and take it to the skies!

With more than 20 available flight modes, the Aurelia X8 Standard has a flight mode for any mission. The recently added Swarm mode allows you to fly multiple X8s together.

In QGC (the mission planning software) the operator can program flight paths using a Google Maps overlay, selecting GPS coordinates for the aircraft to fly to. The operator can also select actions such as taking a photo, dropping a payload, or surveying the area at each waypoint when an add-on is purchased such as a LiDAR, gimbal, or drop mechanism.



The Aurelia X8 Standard features extensive use of U.S.-manufactured components throughout its systems, giving you the performance, reliability, versatility, and sophistication Aurelia Aerospace strives for.

Select the Cube Blue flight controller and a blue-accepted flight transmitter if you require all critical components to be US-manufactured.

The Aurelia X8 Standard is both NDAA848 and TAA compliant.

In less than 30 seconds, with a click of the button on each arm joint, the Aurelia X8 Standard can instantly fold down, allowing for quick disassembly and easy transportation.

To protect your Aurelia X8 Standard when traveling check out our custom-made Heavy Duty Travel Case with Apple AirTag, shown on page 7.



# SPECIFICATIONS



Every day at Aurelia Aerospace, our engineers work with clients around the world to be “giving your ideas flight”. Part of what makes this possible is the open-source Ardupilot software that the Aurelia X8 Standard runs on.

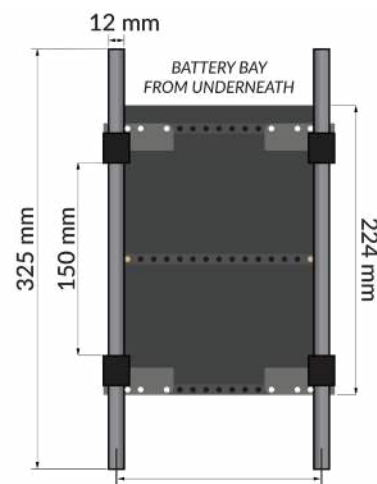
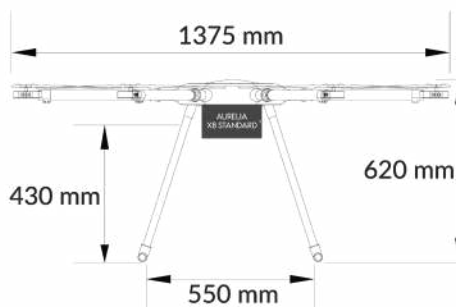
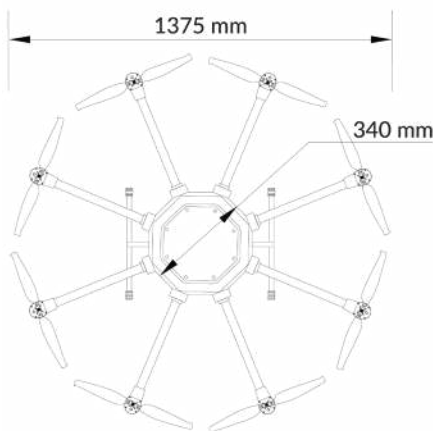
We can program the Aurelia X8 Standard to run either Ardupilot (Standard) or PX4 (optional) software. In addition to our support, extensive online documentation is available for Ardupilot and PX4 on various forums.

For Ground Station software the Aurelia X8 Standard is compatible with Mission Planner (free), QGroundControl (free), or UgCS (paid).

Ground Station Compatibility Software  
with Aurelia Aerospace drones



SCAN TO SEE OUR DRONES IN ACTION



Tube Spacing: 2 Options  
Standard Setup: 150 mm (Based on M600 tubes)  
Self Adjustable: 160 mm (Other)

**i** Need more payload space? Increase your leg height from 430mm to 545mm with the XL Leg extension. See page 7.

|                     |  |                      |  |
|---------------------|--|----------------------|--|
| Empty Weight        | 5950g   13.12 lb                                   | Battery Type         | Lithium-Polymer (LiPo)<br>Lithium-Ion (LE) |
| UAV MTOW            | 17250g   38.03 lb (LiPo)<br>17790g   39.22 lb (LE) | Battery Capacity     | 2x 12,000 mAh (LiPo)<br>2x 22,000 mAh (LE) |
| Max Speed           | 56 km/h   35 mph                                   | Battery Voltage      | 22.2V                                      |
| Max Wind Resistance | 32 km/h   20 mph                                   | GPS                  | uBlox M9N                                  |
| Max Service Ceiling | 3000m ASL  | GPS Constellations   | GPS, GLONASS,<br>Galileo, BeiDou           |
| Compass             | RM3100   | Rangefinder Accuracy | +/- 6.0cm   2.36 in                        |
| Redundancy          | 2 Accelerometers,<br>2 Gyroscopes, 1 Mag           | Rangefinder Range    | 0 - 12m   0 - 39 ft                        |

6-Month Warranty Included

# 1. CHOOSE YOUR BUNDLE

## STARTER

- 1x Aurelia X8 Standard UAV Configured & Ready To Fly
- 2x Aurelia 12,000 mAh 6S 22.2V LiPo Batteries (or 22,000 mAh LE Upgrade)
- 2x Firesafe Battery Storage Bags
- 1x SkyRC T200 Battery Balance Charger
- 1x Radiomaster TX16S Controller (or Flight Transmitter Upgrade)
- 1x Radiomaster TX16S Case (Radiomaster Option)
- 2x 18650 Li-Ion Controller Batteries (Radiomaster Option)
- 1x Drone Canopy
- 1x Aurelia Aerospace Safety Vest
- 1x Aurelia Aerospace Lanyard
- 2x Aurelia Aerospace Stickers
- 1x Cleaning Cloth + Airframe Cleaner
- 1x Mini Toolkit
- 8x Propeller Arm Holders
- 1x Ground Telemetry Radio (915 MHz / 433 MHz (EU))
- 1x 8GB Micro SD Card



## MOST POPULAR

### EXPLORER

All of the items from the Starter Bundle plus the following items:

- 1x Travel Case
- 1x Additional Battery Set (2 pcs) (2x 12,000 mAh or 22,000 mAh LE)
- 2x Firesafe Battery Storage Bags
- 1x Spare Propeller Set (8 pcs)
- 4x Propeller Protection Bags
- 1x Aurelia Drone Landing Pad



### ULTIMATE

All of the items from the Starter Bundle plus the following items:

- 1x Travel Case with AirTag
- 2x Additional Battery Sets (4 pcs) (4x 12,000 mAh or 22,000 mAh LE)
- 4x Firesafe Battery Storage Bags
- 1x Battery Fast Charger
- 2x Spare Propeller Sets (16 pcs)
- 8x Propeller Protection Bags
- 1x Aurelia Drone Landing Pad



# 2. CHOOSE YOUR TRANSMITTER

## Radiomaster TX16S (Included)



The included Radiomaster TX16S transmitter is perfect for learning to fly manually. However, for creating and executing automated flights with GPS waypoints, you'll need either a laptop computer to be used with the Radiomaster or a different transmitter altogether.

- 16 channels
- 4.3" Color Display to view live telemetry data from the aircraft
- Compatible with OpenTX
- High-Quality Hall Sensor Gimbals
- Ability to swap radio modules allowing you to use longer-range radios such as the RFD900 TX Mod

## HereLink Black (Upgrade)



Unleash the full potential of your drone with the HereLink Black Ground Station. This popular flight transmitter transforms your drone operations from basic flying to strategic missions with an all-in-one solution. The HereLink Black empowers you in the following key features:

- 3 Functions in 1 unit - view live HD video feed at all times, manually fly the aircraft, and program auto missions using a Google Maps overlay
- See the live aircraft location on a Google Maps interface
- 2 mini HDMI video ports allow you to have two cameras connected and switch between the video feeds
- 6 customizable buttons for functions
- Flight range up to 5 km (3.1 mi). *(Please consider that with any Aurelia Aircraft, the max. flight range is 5km (3.1 mi) each way due to the battery capacity of the drone)*
- AES-128 Encryption
- This upgrade replaces the TX16S transmitter with the HereLink Black + HD Camera

## Skydroid H16 (Upgrade)



Go beyond basic flight with the Skydroid H16 Ground Station. Looking for a ground station that offers more than just the essentials? The Skydroid H16 steps up as a pilot-friendly alternative to complex systems. Here's why the H16 might be the perfect fit for you:

- 7-inch HD highlight display, which is a large and one of the brightest screens of any transmitter option
- RJ45 Ethernet port available
- Independent joystick and additional switches for better gimbal and payload control
- 3 Functions in 1 unit. View live video feed, manually fly or program auto missions
- Touchscreen for ease of use
- QGroundControl & Mission Planner installed
- Flight range up to 5 km (3.1 mi) *(Please consider that with any Aurelia Aircraft, the max. flight range is 5km (3.1 mi) each way due to the battery capacity of the drone)*
- AES-128 Encryption
- This upgrade replaces the TX16S transmitter with the Skydroid H16 + HD Camera

## Jeti Duplex DS-12 Blue (Blue Accepted Upgrade)



Take full control with the Jeti Duplex DS-12 Transmitter. The Jeti Duplex DS-12 is a pilot favorite for a reason. This versatile transmitter offers a blue-accepted, economical and above all, a powerful combination of features that elevate your drone operation:

- NDAA Compliant transmitter
- Advanced user interface
- Dual-band Connectivity (2.4GHz/900MHz)
- Real-time Telemetry
- Flight range up to 5 km (3.1 mi). *(Please consider that with any Aurelia Aircraft, the max. flight range is 5km (3.1 mi) each way due to the battery capacity of the drone)*
- Sunlight-readable color LCD with its wide viewing angle offers nearly perfect visibility
- Blue-approved compatibility for governments/institutions
- AES-128 Encryption
- This upgrade replaces the Radiomaster TX16S transmitter with the Jeti DS-12 Blue

## UXV Navigator Tab 3 (Blue Accepted Upgrade)

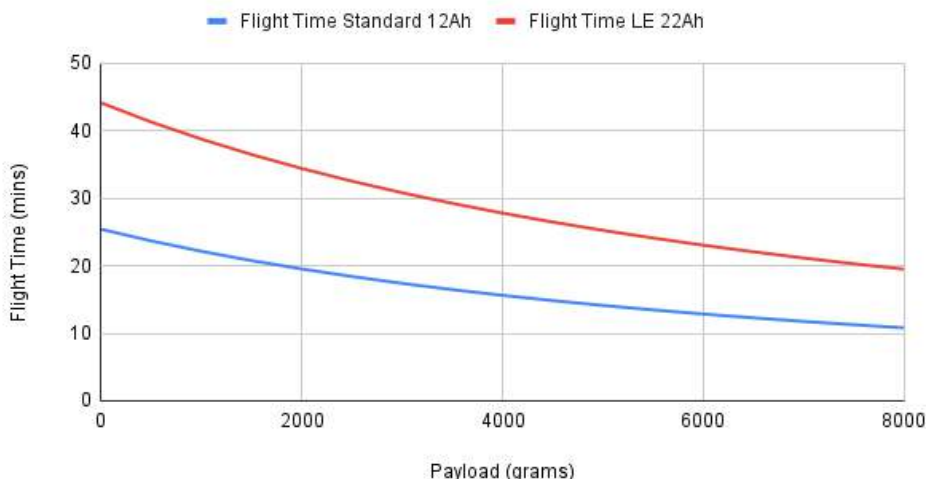


Upgrade your drone bundle with the UXV Navigator Tab 3. This transmitter offers a comprehensive ground control solution for your drone. It provides features for both manual and automated flight operations. The transmitter has the following key features:

- NDAA Compliant transmitter
- NDAA 848 / TAA Compliant
- 8-inch bright HD Display to operate in bright light conditions
- USB-C and Wi-Fi connectivity
- 3-in-1 unit. View live HD video feed, manually fly the aircraft, and program auto missions on a Google Maps interface
- Flight range up to 5 km (3.1 mi). *(Please consider that with any Aurelia Aircraft, the max. flight range is 5km (3.1 mi) each way due to the battery capacity of the drone)*
- AES-256 Encryption
- A camera can be purchased separately if required
- This upgrade replaces the TX16S transmitter

# 3. CHOOSE YOUR BATTERIES

## Flight Time vs. Payload X8 Standard



Keep in mind that the heavier your payload on the aircraft, the more the flight time will be reduced.

The X8 Standard Long-Endurance (LE) battery upgrade uses the latest battery technology to increase the flight time of the Aurelia X8 Standard from 25 to 45 minutes.

## 4. CHOOSE YOUR FLIGHT CONTROLLER



**Cube Orange  
with ADS-B**  
*(Included)*

A Popular Choice for Reliable Flight Control. The Cube Orange is a widely recognized flight controller, known for its dependable performance, and often comes standard with many drones. An additional perk is the optional carrier board equipped with a 1090 ADS-B uAvionix module. This module provides valuable situational awareness by displaying nearby aircraft within a 12-mile (20km) range.



**Cube Blue  
with ADS-B**  
*(Upgrade)*

While functionally identical to the Cube Orange, the Cube Blue is manufactured in the United States, specifically targeting operators who require a US-made flight controller option. This includes government and military applications.

## 5. ADD DRONE SERVICES



### Aurelia Assist Lifetime Membership

- Includes flight simulator software to practice flying on a computer *(Only works on Windows through the Steam platform)*
- Manage flight logs & maintenance logs for regulatory compliance
- Manage pre-flight and post-flight checklists
- Order spare parts & accessories
- Interactive map with no-fly zones and other restricted airspace
- View a live detailed weather report
- View a digital copy of the user manual at all times



### 2-Year Extended Warranty

Upgrade to a 2-Year Warranty for Extra Peace of Mind. The standard warranty covers your drone for 6 months. By adding the 2-Year Extended Warranty, you'll receive comprehensive coverage for a total of 2 years from the date of purchase. This extended warranty safeguards you against malfunctions due to faulty parts or manufacturing defects for the entire 2-year period, with unlimited operating hours.

## 6. CHOOSE YOUR PAYLOAD



Payload Release  
Mechanism



Choose Your Gimbal  
Gresmy Mio / T3 / T7



Horizontal Liquid  
Spraying Kit



Water  
Sampling System



Various Companion  
Computer Options



MicaSense  
RedX-Edge-MX



Pick Your  
Camera



Seed Spreading  
Application

# 7. ADD OPTIONS

We have a much wider range of accessories and options that might not be listed in this brochure. In case you have any other requirements for your drone setup or project, please reach out to us.



Travel Case +  
AirTag



Travel Case  
Wheels + Handle Only



IP Motor  
Option



Propeller Set  
(8 pcs)



X8 Standard  
Extra Battery Set



X8 Standard LE  
Battery Set Upgrade



Battery  
Fast Charger



X8 Standard  
XL Leg Extension



Retracting  
Landing Gear



RFD900X  
Telemetry Upgrade



2-Year  
Extended Warranty



X8 Standard  
Servicing Kit 101



Obstacle  
Avoidance LIDAR



Reach M+ PPK  
Mapping Kit



RTK  
Kit



PX4  
Setup



Aurelia Aerospace  
Safety Vest



Aurelia Aerospace  
Transmitter Lanyard



LED  
Strobe Light



Drone  
Landing Pad

## OUR DRONES



Looking for a drone that adapts to your needs? Aurelia Aerospace offers versatile platforms in various sizes, all designed for a wide range of applications.

Explore them now!

# JOIN OUR COMMUNITY

---

**ABB**



**THALES**



**U.S. AIR FORCE**



**amazon**



Aurelia Aerospace  
6185 S Pecos Rd, Suite 201  
Las Vegas, NV, 89120, USA

+1 (833) - 924 - 2376  
support@aurelia-aerospace.com  
aurelia-aerospace.com

aureliaaerospace  
 aureliaaerospace  
 aureliaaero