



AURELIA X8 PRO

Giving your ideas flight[®]

 50min
flight time

 Up to 10kg / 22 lb
payload

  Up to 5km / 3mi
flight range

 US-Made
Components

INTRODUCTION



The Aurelia X8 Pro is our most advanced heavy-lift drone. Equipped with 8 rotors for exceptional stability, dual GPS for precise navigation, and retractable landing gear for an unobstructed 360 view in the payload bay.

The X8 Pro offers great versatility professional and industrial applications, designed to stay under the 25kg (55 lb) MTOW limit (FAA and EASA rules).

The Aurelia X8 Pro is delivered ready to fly out of the box with minimal setup required. Just install your payload and take to the skies!

With more than 20 available flight modes, the Aurelia X8 Pro has a flight mode for any mission. The recently added Swarm mode allows you to fly multiple X8s together.

In QGC (the mission planning software) the operator can program flight paths using a Google Maps overlay, selecting GPS coordinates for the aircraft to fly to. The operator can also select actions such as taking a photo, dropping a payload, or surveying the area at each waypoint when an add-on is purchased such as a LiDAR, gimbal, or drop mechanism.



The Aurelia X8 Pro features extensive use of U.S.-manufactured components throughout its systems, giving you the performance, reliability, versatility, and sophistication Aurelia Aerospace strives for.

Select the Cube Blue flight controller and a blue-accepted flight transmitter if you require all critical components to be US-manufactured.

The Aurelia X8 Pro is both NDAA848 and TAA compliant.

In less than 20 seconds, with a click of the button on each arm joint, the Aurelia X8 Pro can instantly fold down, allowing for quick disassembly and easy transportation.

To protect your Aurelia X8 Pro when traveling check out our custom-made Heavy Duty Travel Case with Apple AirTag, shown on page 7.



SPECIFICATIONS



Every day at Aurelia Aerospace, our engineers work with clients around the world to be “giving your ideas flight”. Part of what makes this possible is the open-source Ardupilot software that the Aurelia X8 Pro runs on.

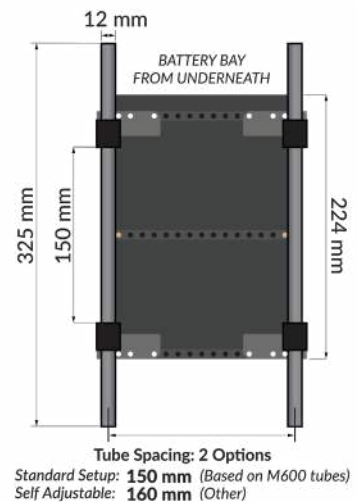
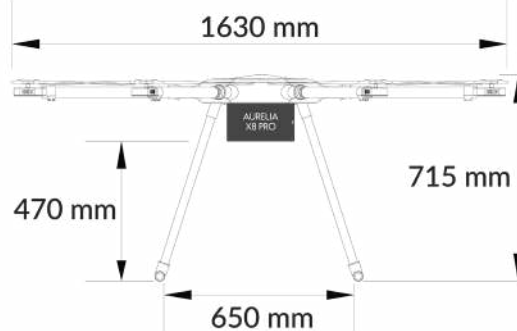
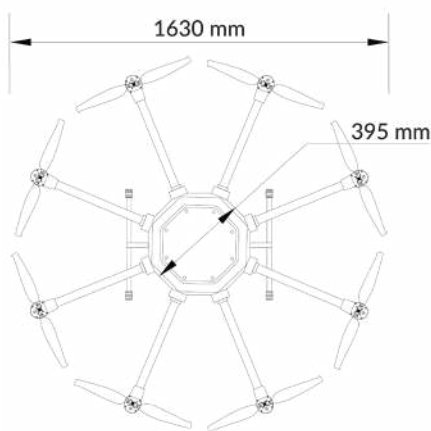
We can program the Aurelia X8 Pro to run either Ardupilot (Standard) or PX4 (optional) software. In addition to our support, extensive online documentation is available for Ardupilot and PX4 on various forums.

For ground station software the Aurelia X8 Pro is compatible with Mission Planner (free), QGroundControl (free), or UgCS (paid).

Ground Station Compatibility Software
with Aurelia Aerospace drones



SCAN TO SEE OUR DRONES IN ACTION



Empty Weight	6800g 14.99 lb	Battery Type	Heavy-Duty High-Performance (HDHP)
UAV MTOW	24980g 55.07 lb	Battery Capacity	2x 25,000 mAh (HDHP)
Max Speed	56 km/h 35 mph	Battery Voltage	44.4V
Max Wind Resistance	32 km/h 20 mph	GPS	uBlox M9N
Max Service Ceiling	3000m ASL	GPS Constellations	GPS, GLONASS, Galileo, BeiDou
Compass	RM3100	Rangefinder Accuracy	+/- 2.5 cm 1 in
Redundancy	2 Accelerometers, 2 Gyroscopes, 1 Mag	Rangefinder Range	0 - 40m 0 - 131 ft

6-Month Warranty Included

1. CHOOSE YOUR BUNDLE

STARTER

- 1x Aurelia X8 Pro UAV Configured & Ready To Fly
- 2x Aurelia 25,000 mAh 12S 44.4V HDHP Batteries
- 2x Firesafe Battery Ammo Boxes
- 1x Battery Fast Charger
- 2x Ublox ZED F9P GPS
- 1x Radiomaster TX16S Controller (or Flight Transmitter Upgrade)
- 1x Radiomaster TX16S Case (Radiomaster Option)
- 2x 18650 Li-Ion Controller Batteries (Radiomaster Option)
- 1x Emergency Parachute System
- 1x Retracting Landing Gear
- 1x Drone Canopy
- 1x Aurelia Aerospace Safety Vest
- 1x Aurelia Aerospace Lanyard
- 2x Aurelia Aerospace Stickers
- 1x Cleaning Cloth + Airframe Cleaner
- 1x Mini Toolkit
- 8x Propeller Arm Holders
- 1x Ground Telemetry Radio (915 MHz / 433 MHz (EU))
- 1x 8GB Micro SD Card



MOST POPULAR

EXPLORER

All of the items from the Starter Bundle plus the following items:

- 1x Travel Case
- 1x Additional Battery Set (2 pcs) (2x 25,000 mAh HDHP)
- 2x Firesafe Battery Ammo Boxes
- 1x Spare Propeller Set (8 pcs)
- 4x Propeller Protection Bags
- 1x Aurelia Drone Landing Pad



ULTIMATE

All of the items from the Starter Bundle plus the following items:

- 1x Travel Case with AirTag
- 2x Additional Battery Sets (4 pcs) (4x 25,000 mAh HDHP)
- 4x Firesafe Battery Ammo Boxes
- 2x Spare Propeller Sets (16 pcs)
- 8x Propeller Protection Bags
- 1x Aurelia Drone Landing Pad



2. CHOOSE YOUR TRANSMITTER

Radiomaster TX16S (Included)



The included Radiomaster TX16S transmitter is perfect for learning to fly manually. However, for creating and executing automated flights with GPS waypoints, you'll need either a laptop computer to be used with the Radiomaster or a different transmitter altogether.

- 16 channels
- 4.3" Color Display to view live telemetry data from the aircraft
- Compatible with OpenTX
- High-Quality Hall Sensor Gimbals
- Ability to swap radio modules allowing you to use longer-range radios such as the RFD900 TX Mod

HereLink Black (Upgrade)



Unleash the full potential of your drone with the HereLink Black Ground Station. This popular flight transmitter transforms your drone operations from basic flying to strategic missions with an all-in-one solution. The HereLink Black empowers you in the following key features:

- 3 Functions in 1 unit - view live HD video feed at all times, manually fly the aircraft, and program auto missions using a Google Maps overlay
- See the live aircraft location on a Google Maps interface
- 2 mini HDMI video ports allow you to have two cameras connected and switch between the video feeds
- 6 customizable buttons for functions
- Flight range up to 5 km (3.1 mi). *(Please consider that with any Aurelia Aircraft, the max. flight range is 5km (3.1 mi) each way due to the battery capacity of the drone)*
- AES-128 Encryption
- This upgrade replaces the TX16S transmitter with the HereLink Black + HD Camera

Skydroid H16 (Upgrade)



Go beyond basic flight with the Skydroid H16 Ground Station. Looking for a ground station that offers more than just the essentials? The Skydroid H16 steps up as a pilot-friendly alternative to complex systems. Here's why the H16 might be the perfect fit for you:

- 7-inch HD highlight display, which is a large and one of the brightest screens of any transmitter option
- RJ45 Ethernet port available
- Independent joystick and additional switches for better gimbal and payload control
- 3 Functions in 1 unit. View live video feed, manually fly or program auto missions
- Touchscreen for ease of use
- QGroundControl & Mission Planner installed
- Flight range up to 5 km (3.1 mi) *(Please consider that with any Aurelia Aircraft, the max. flight range is 5km (3.1 mi) each way due to the battery capacity of the drone)*
- AES-128 Encryption
- This upgrade replaces the TX16S transmitter with the Skydroid H16 + HD Camera

Jeti Duplex DS-12 Blue (Blue Accepted Upgrade)



Take full control with the Jeti Duplex DS-12 Transmitter. The Jeti Duplex DS-12 is a pilot favorite for a reason. This versatile transmitter offers a blue-accepted, economical and above all, a powerful combination of features that elevate your drone operation:

- NDAA Compliant transmitter
- Advanced user interface
- Dual-band Connectivity (2.4GHz/900MHz)
- Real-time Telemetry
- Flight range up to 5 km (3.1 mi). *(Please consider that with any Aurelia Aircraft, the max. flight range is 5km (3.1 mi) each way due to the battery capacity of the drone)*
- Sunlight-readable color LCD with its wide viewing angle offers nearly perfect visibility
- Blue-approved compatibility for governments/institutions
- AES-128 Encryption
- This upgrade replaces the Radiomaster TX16S transmitter with the Jeti DS-12 Blue

UXV Navigator Tab 3 (Blue Accepted Upgrade)

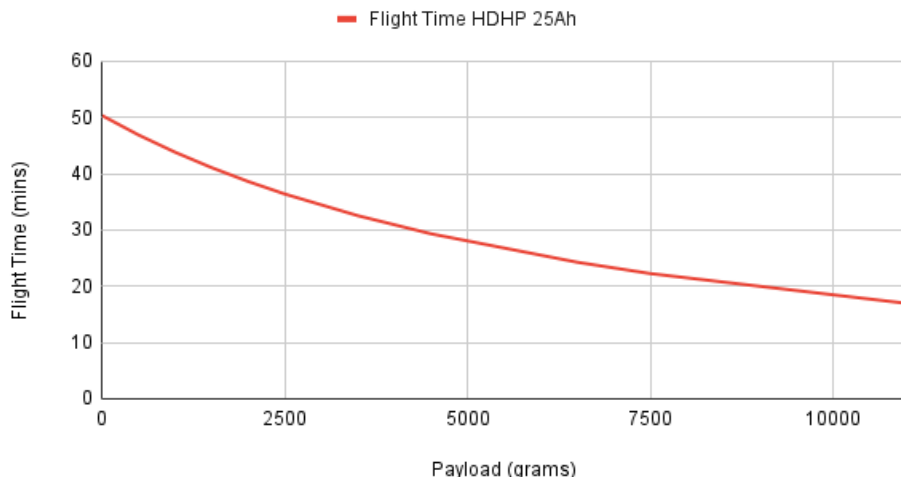


Upgrade your drone bundle with the UXV Navigator Tab 3. This transmitter offers a comprehensive ground control solution for your drone. It provides features for both manual and automated flight operations. The transmitter has the following key features:

- NDAA Compliant transmitter
- NDAA 848 / TAA Compliant
- 8-inch bright HD Display to operate in bright light conditions
- USB-C and Wi-Fi connectivity
- 3-in-1 unit. View live HD video feed, manually fly the aircraft, and program auto missions on a Google Maps interface
- Flight range up to 5 km (3.1 mi). *(Please consider that with any Aurelia Aircraft, the max. flight range is 5km (3.1 mi) each way due to the battery capacity of the drone)*
- AES-256 Encryption
- A camera can be purchased separately if required
- This upgrade replaces the TX16S transmitter

3. BATTERIES

Flight Time vs. Payload X8 Pro



Remember that the heavier your payload on the aircraft, the more the flight time will be reduced.

The Aurelia X8 Pro uses Heavy-Duty High-Performance (HDHP) batteries to give you a flight time of up to 50 minutes.

4. CHOOSE YOUR FLIGHT CONTROLLER



**Cube Orange
with ADS-B**
(Included)

A Popular Choice for Reliable Flight Control. The Cube Orange is a widely recognized flight controller, known for its dependable performance, and often comes standard with many drones. An additional perk is the optional carrier board equipped with a 1090 ADS-B uAvionix module. This module provides valuable situational awareness by displaying nearby aircraft within a 12-mile (20km) range.



**Cube Blue
with ADS-B**
(Upgrade)

While functionally identical to the Cube Orange, the Cube Blue is manufactured in the United States, specifically targeting operators who require a US-made flight controller option. This includes government and military applications.

5. ADD DRONE SERVICES



Aurelia Assist Lifetime Membership

- Includes flight simulator software to practice flying on a computer *(Only works on Windows through the Steam platform)*
- Manage flight logs & maintenance logs for regulatory compliance
- Manage pre-flight and post-flight checklists
- Order spare parts & accessories
- Interactive map with no-fly zones and other restricted airspace
- View a live detailed weather report
- View a digital copy of the user manual at all times



2-Year Extended Warranty

Upgrade to a 2-Year Warranty for Extra Peace of Mind. The standard warranty covers your drone for 6 months. By adding the 2-Year Extended Warranty, you'll receive comprehensive coverage for a total of 2 years from the date of purchase. This extended warranty safeguards you against malfunctions due to faulty parts or manufacturing defects for the entire 2-year period, with unlimited operating hours.

6. CHOOSE YOUR PAYLOAD



Payload Release
Mechanism



Choose Your Gimbal
Gremsy Mio / T3 / T7



Horizontal Liquid
Spraying Kit



Water
Sampling System



Various Companion
Computer Options



MicaSense
RedX-Edge-MX



Pick Your
Camera



Seed Spreading
Application

7. ADD OPTIONS

We have a much wider range of accessories and options that might not be listed in this brochure. In case you have any other requirements for your drone setup or project, please reach out to us.



Travel Case +
AirTag



Travel Case
Wheels + Handle Only



IP Motor
Option



Propeller Set
(8 pcs)



Drone
Canopy



X8 Pro
Extra Battery Set



Octo Battery
Fast Charger



Blue-Accepted
Compatible Camera Lens



Retracting
Landing Gear



RFD900X
Telemetry Upgrade



2-Year
Extended Warranty



X8 Pro
Servicing Kit 101



Obstacle
Avoidance LIDAR



Reach M+ PPK
Mapping Kit



RTK
Kit



PX4
Setup



Aurelia Aerospace
Safety Vest



Aurelia Aerospace
Transmitter Lanyard



LED
Strobe Light



Drone
Landing Pad

OUR DRONES



Looking for a drone that adapts to your needs? Aurelia Aerospace offers versatile platforms in various sizes, all designed for a wide range of applications.

Explore them now!

JOIN OUR
COMMUNITY

ABB



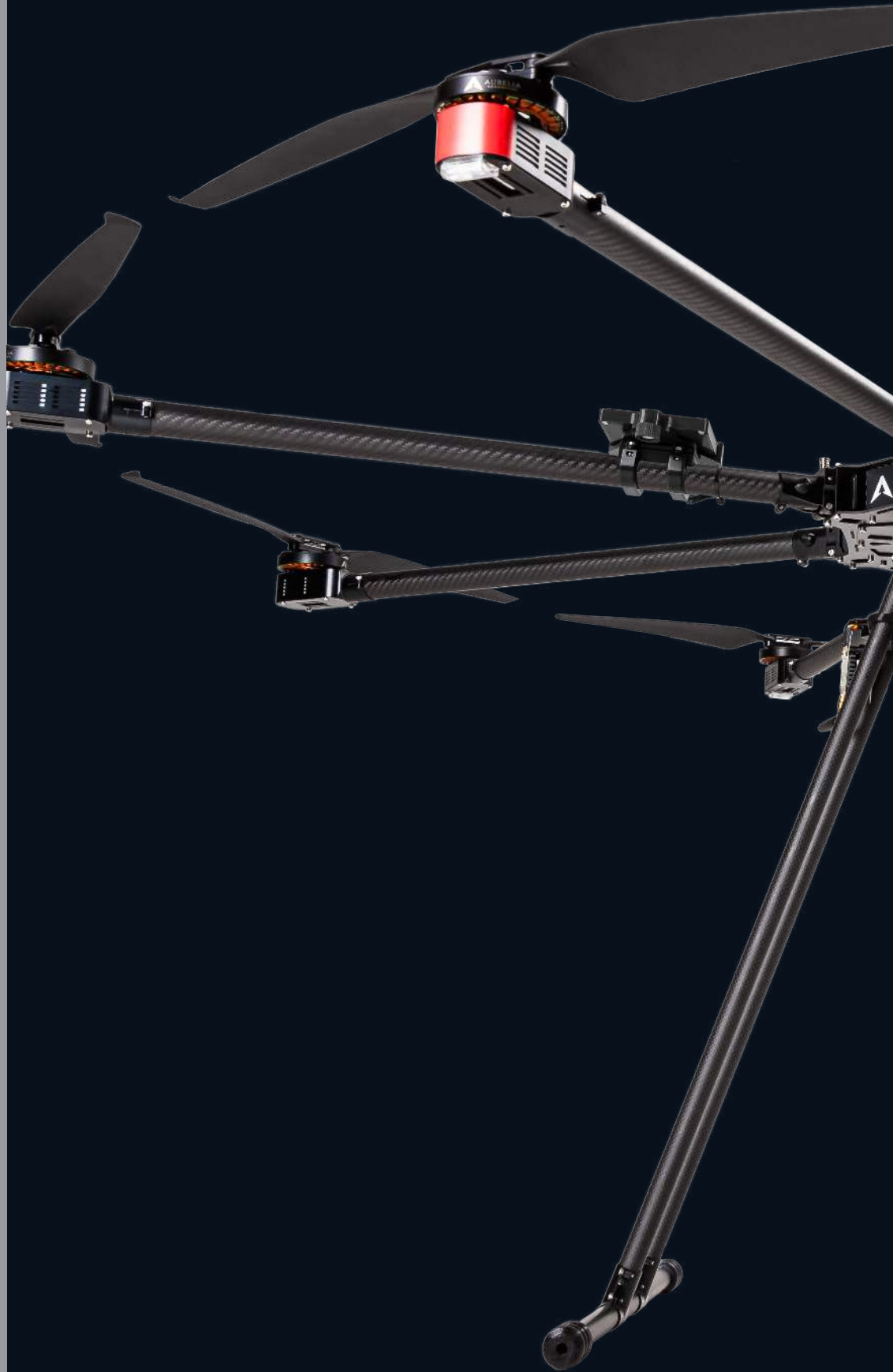
THALES



U.S. AIR FORCE



amazon



Aurelia Aerospace
6185 S Pecos Rd, Suite 201
Las Vegas, NV, 89120, USA

+1 (833) - 924 - 2376
support@aurelia-aerospace.com
aurelia-aerospace.com

Instagram: aureliaaerospace
Facebook: aureliaaerospace
Twitter: aureliaaero